

# Double Pinwheel Block

from McCalls Quilting  
Skill Level INTERMEDIATE  
Finished Size 12" x 12"

Colors used in Diagram: A - Wine, B - Stripe , C - Blue, and D & E - Background

## Wine

**Piece A** – cut two squares 5 3/8", then cut both of them in half once diagonally to make four triangles

## Stripe

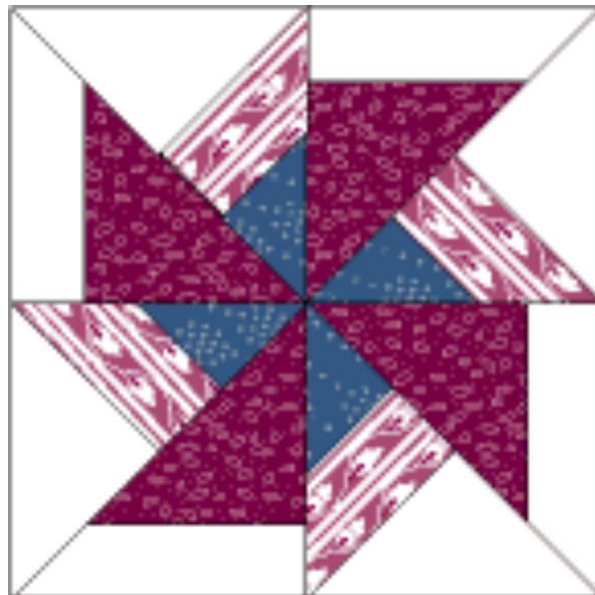
**Piece B** – cut four rectangles 2 1/4" x 5 1/8". Referring to Diagram 1 below, cut into "one-way" half trapezoids

## Blue

**Piece C** – cut one square 4 3/4", cut in half diagonally twice to make four triangles

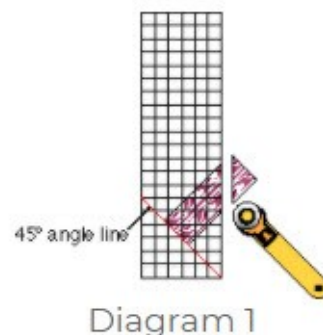
## Background

**Piece D** – cut four rectangles 2" x 6 7/8". Referring to Diagram 1 below, cut into "one-way" half trapezoids.  
**Piece E** – cut one square 7 1/4", cut in half diagonally twice to make four triangles



## DIRECTIONS: Cutting One-way Half Trapezoid

Place rectangles, right side of fabric up, on cutting mat. Using 45° angle line on the ruler, cut off lower right corner. CUT EXACTLY AS SHOWN IN DIAGRAM 1



## ASSEMBLY

Sew together in steps as shown in diagram to right.



Repeat this four times and then sew all 4 together as shown in finished block at top of page.